

## FAUCET DESCRIPTION

- Brass construction with chrome plated finish
- 4" centerset
- 1/2" IPS connections
- Vandal resistant aerator

## OPERATION

- 4" wrist blade handles with hot and cold color indicators\*
- \*Smooth handle models have hot and cold color indicator at torx head screw
- Vandal resistant torx head screws

## CARTRIDGE

- Brass shell, ceramic disc cartridge
- 1/4 turn operation

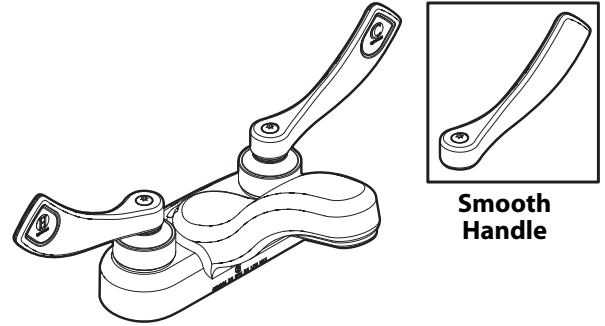
## STANDARDS

- Third party certified to WaterSense® (only applies to 1.5 gpm), ASME A112.18.1/ CSA B125.1, and all applicable requirements referenced therein including NSF 61/9
- Contains no more than 0.25% weighted average lead content
- Complies with California Proposition 65 and with the Federal Safe Drinking Water Act

- ADA for lever handle

## WARRANTY

- Warranted for five years against material or manufacturing defects



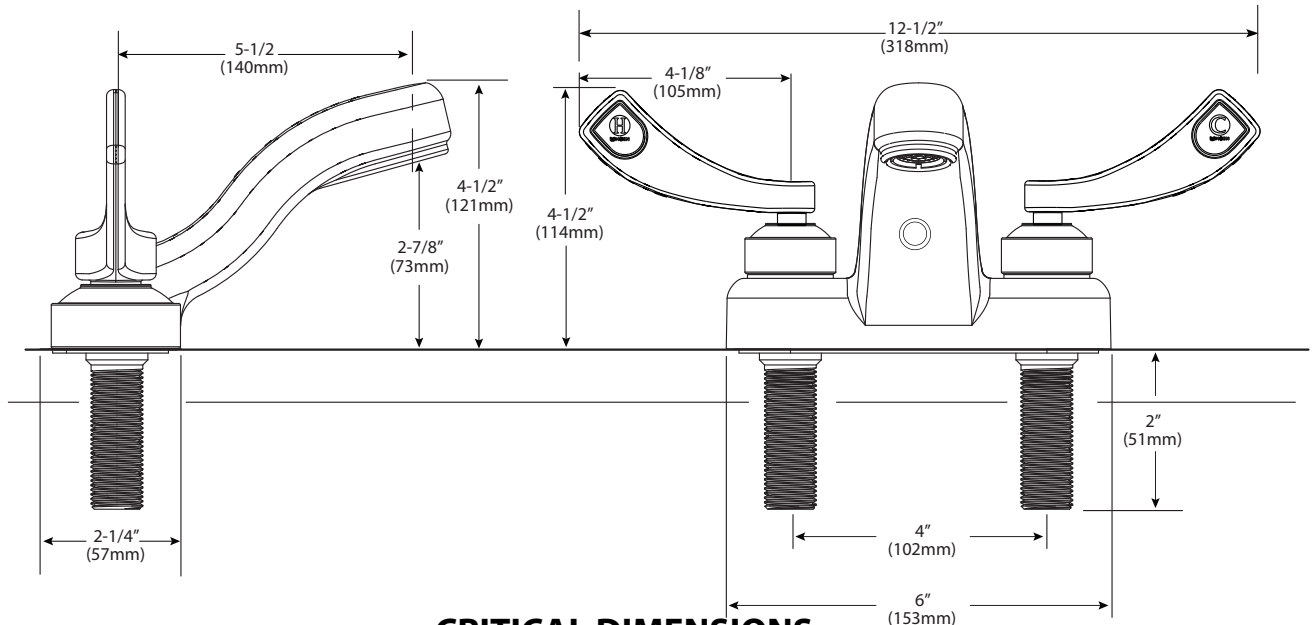
Smooth Handle

| Two-Handle Lavatory Faucet |                |                         |              |                      |
|----------------------------|----------------|-------------------------|--------------|----------------------|
| MODEL                      | FLOW (gpm/Lpm) | DRAIN                   | HANDLE STYLE | WATERSENSE CERTIFIED |
| 8215                       | 2.2/8.3        | Without                 | Decal        |                      |
| 8215F15                    | 1.5/5.7        | Without                 | Decal        | X                    |
| 8215F05                    | 0.5/1.9        | Without                 | Decal        |                      |
| 8215F03                    | 0.35/1.3       | Without                 | Decal        |                      |
| 8215SM                     | 2.2/8.3        | Without                 | Smooth       |                      |
| 8215SMF15                  | 1.5/5.7        | Without                 | Smooth       | X                    |
| 8219                       | 2.2/8.3        | Metal                   | Decal        |                      |
| 8209                       | 1.5/5.7        | Without; With Chainstay | Decal        | X                    |



See table above

**NOTE:** Designed to be installed through 2 holes - 1" (25mm) min. dia.



## CRITICAL DIMENSIONS

(DO NOT SCALE)