

**FINISH PLAN LEGEND**

CO - POURED CONCRETE  
V1 - VINYL SHEET FLOORING-2501 DARK GREY  
V2 - VINYL SHEET FLOORING-W5M206 PALE BEECH  
V3 - VINYL SHEET FLOORING-GRANT SAFE 1.096 EQ RISE  
FL1 - PORCELAIN FLOOR TILE 12"x24" DARK GREY MATTE  
RST - RUBBER STAIR TREADS-RAISED ROUND L38 SUMMERSET

**FINISH WALL LEGEND**

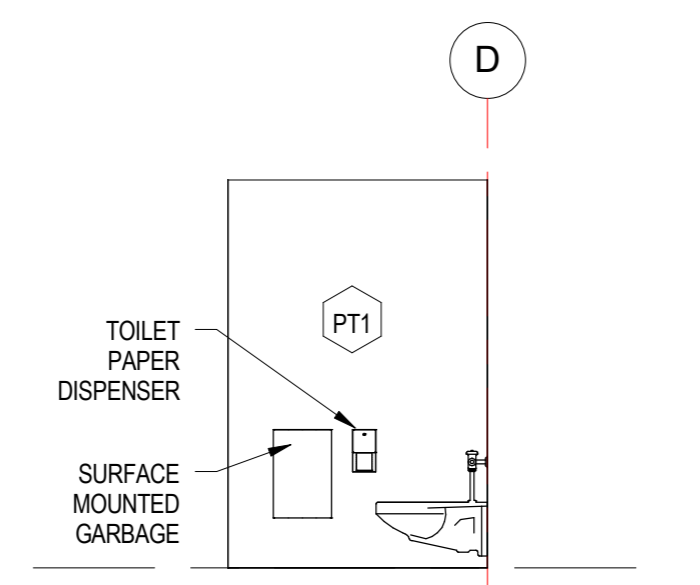
PT1 - PAINT - WHITE DOVE OC-17  
PT2 - PAINT - LUCERNE AF-330  
PT3 - PAINT - FUJI AF-525  
PT4 - PAINT - SOLITUDE AF-545  
PT5 - PAINT - MEDITERRANEAN TEAL 2123-10  
PT6 - PAINT - WITCHING HOUR 2120-30  
WT1 - WALL TILE - PERIWINKLE BRIGHT (3"x6")  
WT2 - WALL TILE - QUEBEC-BLACK FLECK (2"x2" MOSAIC)  
WT3 - WALL TILE - WARM WHITE BRIGHT (3"x6")  
WT4 - WALL TILE - CHARTRUSE BRIGHT (3"x6")  
WT5 - WALL TILE - PEPPER WHITE 0147 (3"x6")  
WT6 - WALL TILE - GARDEN SPOT 0141 (4.25"x4.25")

**Universal WC Notes**

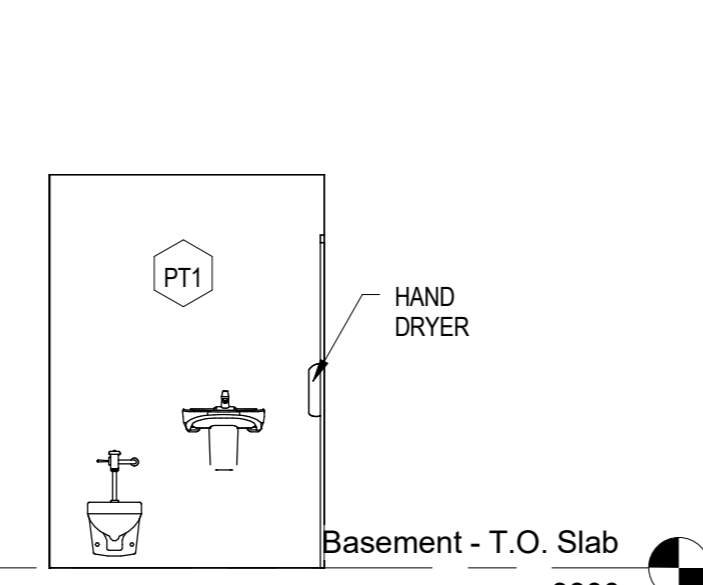
1. UNIVERSAL WASHROOM AS PER OBC 3.8.3.12
2. DOOR SHOULD BE LOCKABLE FROM INSIDE AND RELEASE FROM OUTSIDE IN EVENT OF EMERGENCY. A GRASPABLE LATCH OPERATING MECHANISM LOCATED NOT LESS THAN 900MM AND NOT MORE THAN 1000MM ABOVE THE FINISHED FLOOR AS PER OBC 3.8.3.12(1)(B)
3. TOILETS TO BE EQUIPPED WITH A BACK SUPPORT WHERE THERE IS NO SEAT OR TANK, AS PER OBC 3.8.3.9(1)(C) NOT HAVE A SPRING-ACTIVATED SEAT, AS PER OBC 3.8.3.9(1)(D), AND HAVE HAND-OPERATED FLUSHING CONTROLS THAT ARE OPERABLE USING A CLOSED FIST WITH A FORCE OF NOT MORE THAN 22.2 N, AS PER OBC 3.8.3.9(2)
4. INSTALL LIGHTING CONTROLLED BY A MOTION SENSOR AS PER OBC 3.8.12(1)(K)
5. PROVIDE EMERGENCY CALL SYSTEM AND SIGN AS PER OBC 3.8.3.12(2)
6. CLEAR SPACE FOR ADULT-SIZE CHANGE TABLE AS PER OBC 3.8.3.12(3) TO (5). PROVIDE BLOCKING AS REQUIRED TO PERMIT FUTURE INSTALLATION OF TABLE.

**B/F WC Notes**

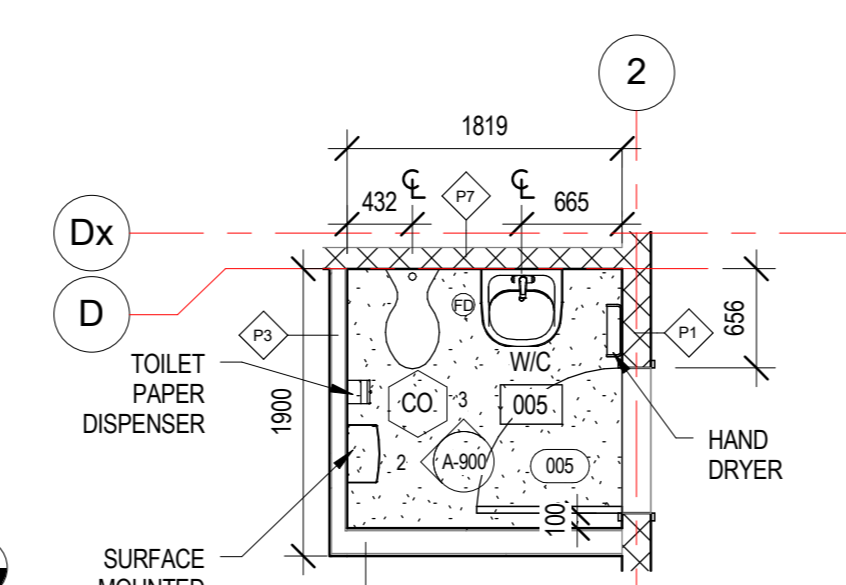
1. BARRIER-FREE WASHROOMS AS PER OBC 3.8.3.8
2. DOORS AT B/F WASHROOMS AS PER OBC 3.8.3.8(1)(A)
3. GRAB BARS 35-45MM AND 38-50MM CLEAR FROM WALL. BARS TO HAVE SLIP-RESISTANT SURFACE. INSTALLED TO RESIST LOAD OF AT LEAST 1.3KN APPLIED VERTICAL OR HORIZONTAL AS PER OBC 3.8.3.12(5)
4. CONTRACTOR IS REQUIRED TO PROVIDE SHOP DRAWINGS OF LAYOUT AND MOCK UP ALL WORK RELATED TO UNIVERSAL AND B/F WASHROOMS INCLUDING, BUT NOT NECESSARILY LIMITED TO: DOOR OPENING WIDENING, BLOCKING AND STRUCTURAL REINFORCEMENT, TO BE REVIEWED BY ARCHITECT ON SITE PRIOR TO COMMENCEMENT OF WORK
5. TOILETS TO BE EQUIPPED WITH A BACK SUPPORT WHERE THERE IS NO SEAT LID OR TANK, AS PER OBC 3.8.3.9(1)(C) NOT HAVE A SPRING-ACTIVATED SEAT, AS PER OBC 3.8.3.9(1), AND HAVE HAND-OPERATED FLUSHING CONTROLS THAT ARE OPERABLE USING A CLOSED FIST WITH A FORCE OF NOT MORE THAN 22.2 N, AS PER OBC 3.8.3.9(2)
6. FAUCETS TO BE EQUIPPED WITH LEVER TYPE HANDLES WITHOUT SPRING LOADING OR OPERATE AUTOMATICALLY, AND BE MOUNTED, AS PER OBC 3.8.3.11(1)(E).



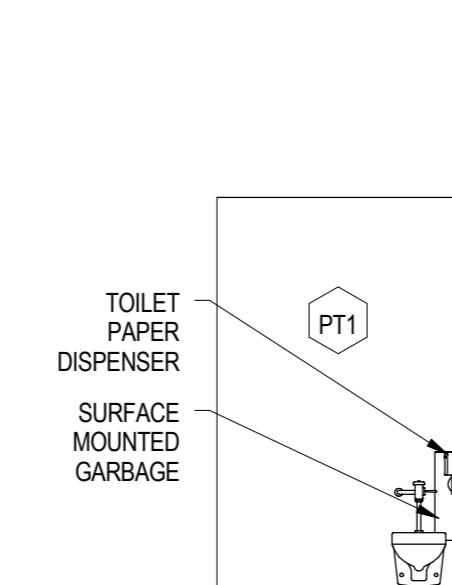
2 Basement WC East Elevation  
1:50



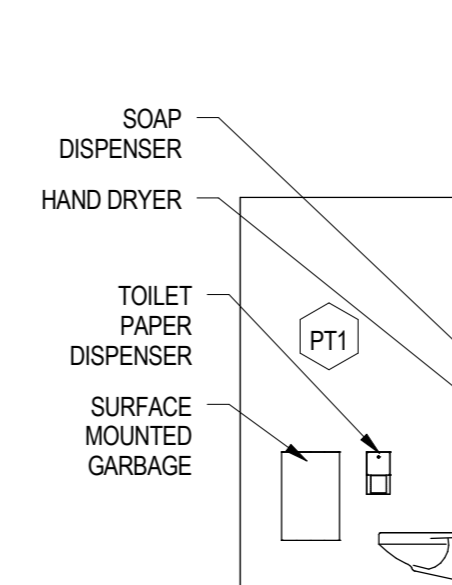
3 Basement WC South Elevation  
1:50



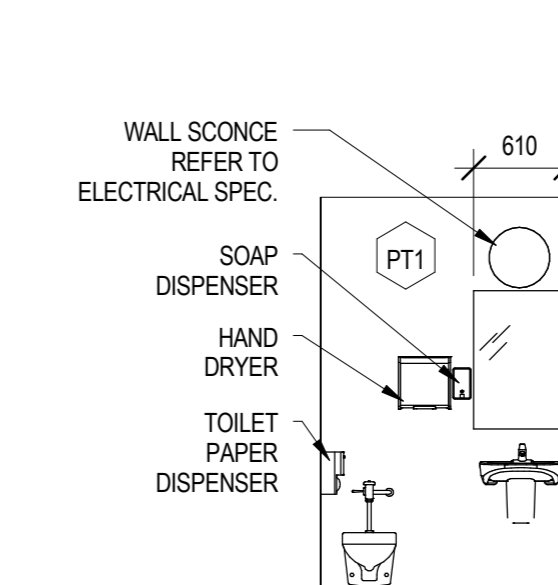
1 Basement WC  
1:50



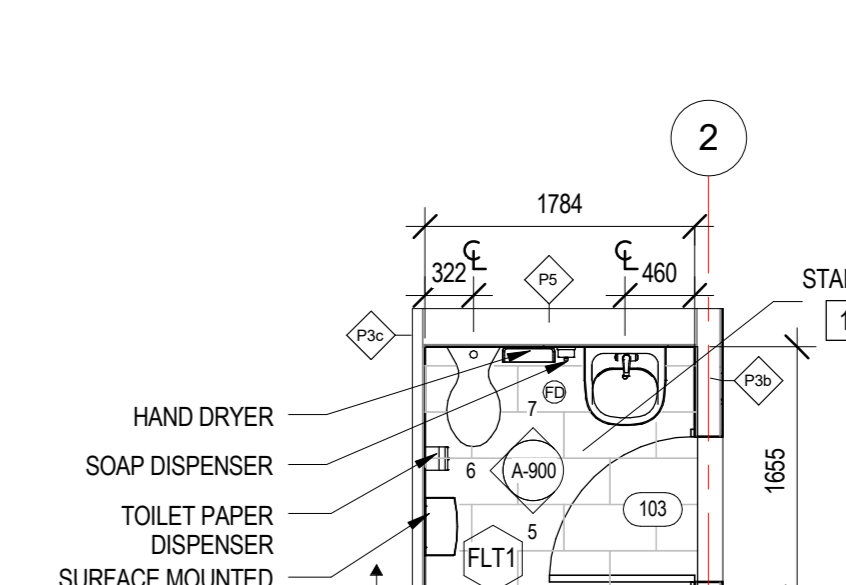
5 WC 103 North Elevation  
1:50



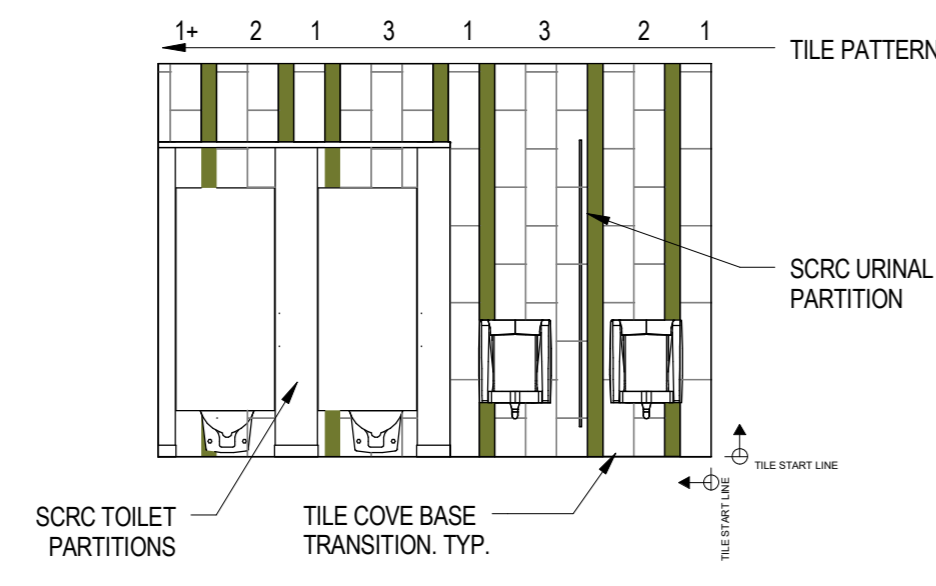
6 WC 103 East Elevation  
1:50



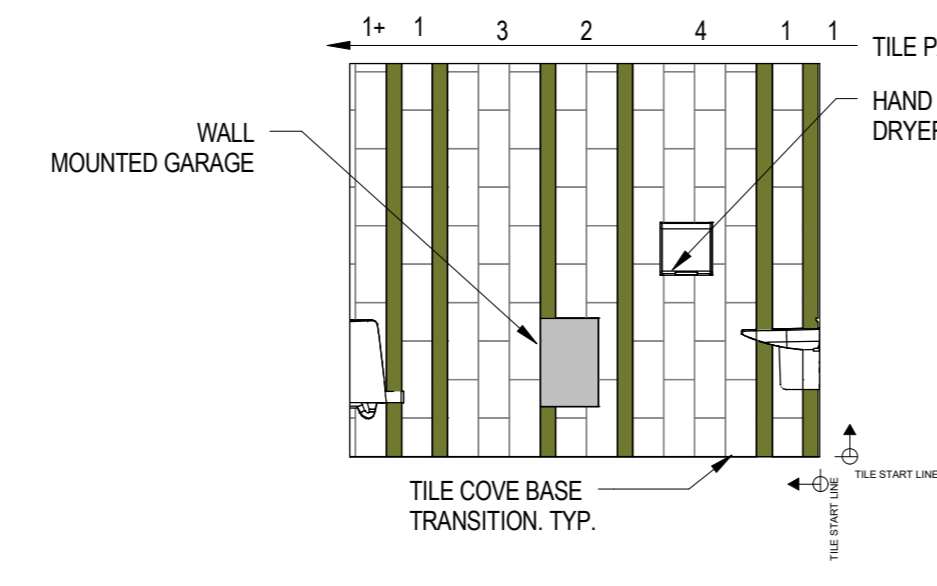
7 WC 103 South Elevation  
1:50



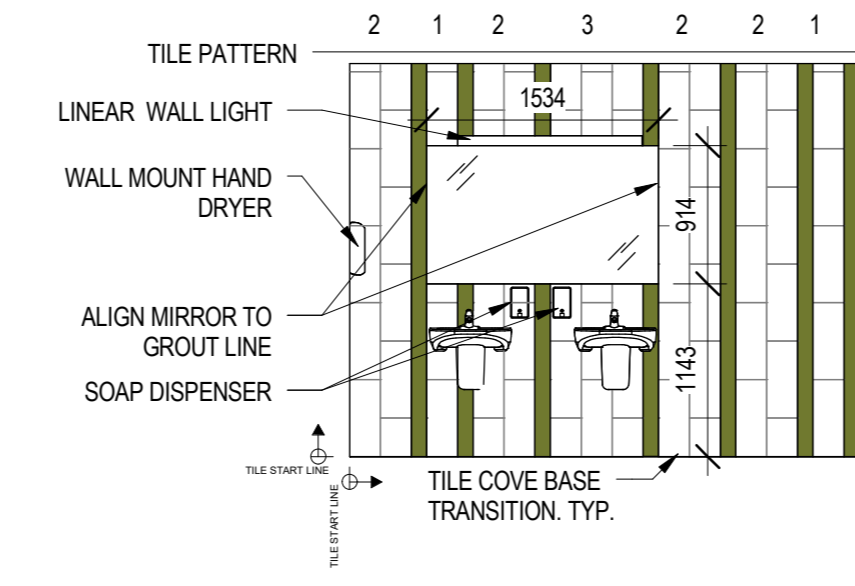
4 WC 103  
1:50



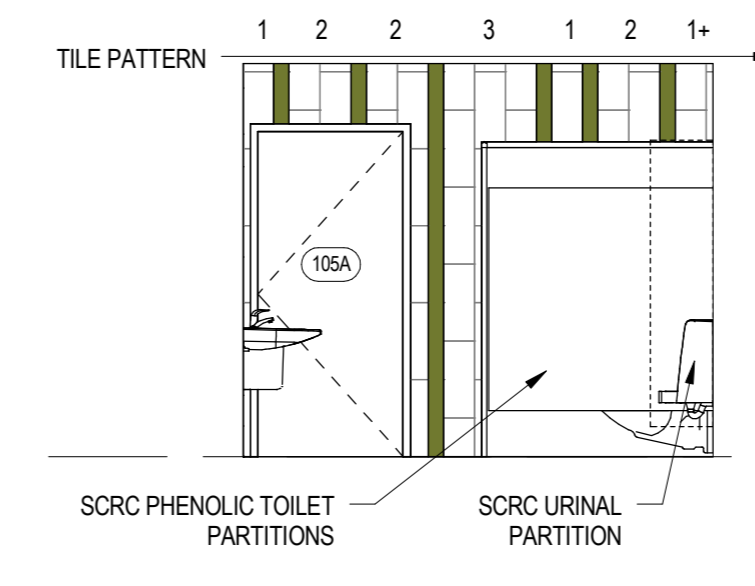
10 Male WC North Elevation  
1:50



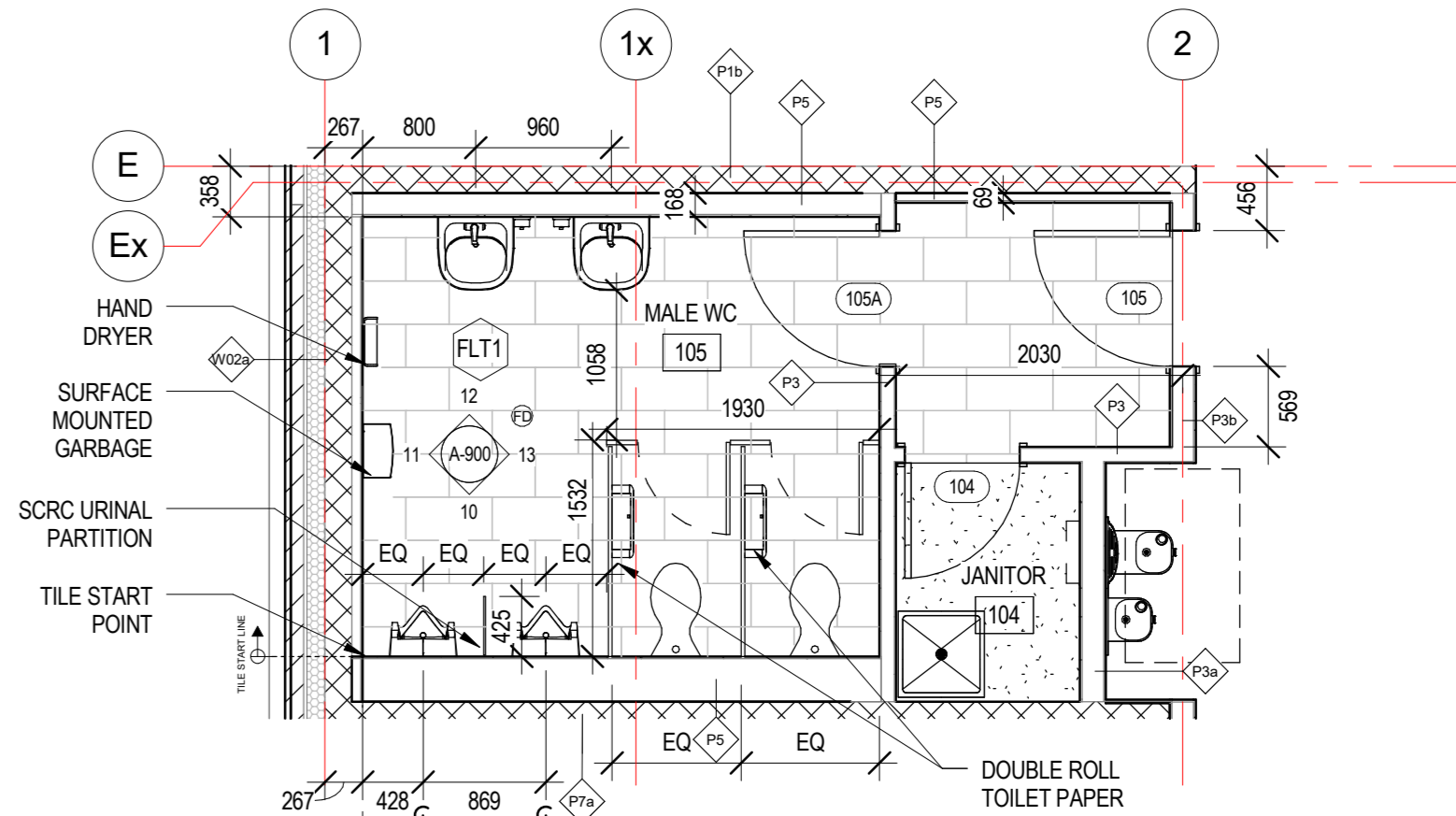
11 Male WC East Elevation  
1:50



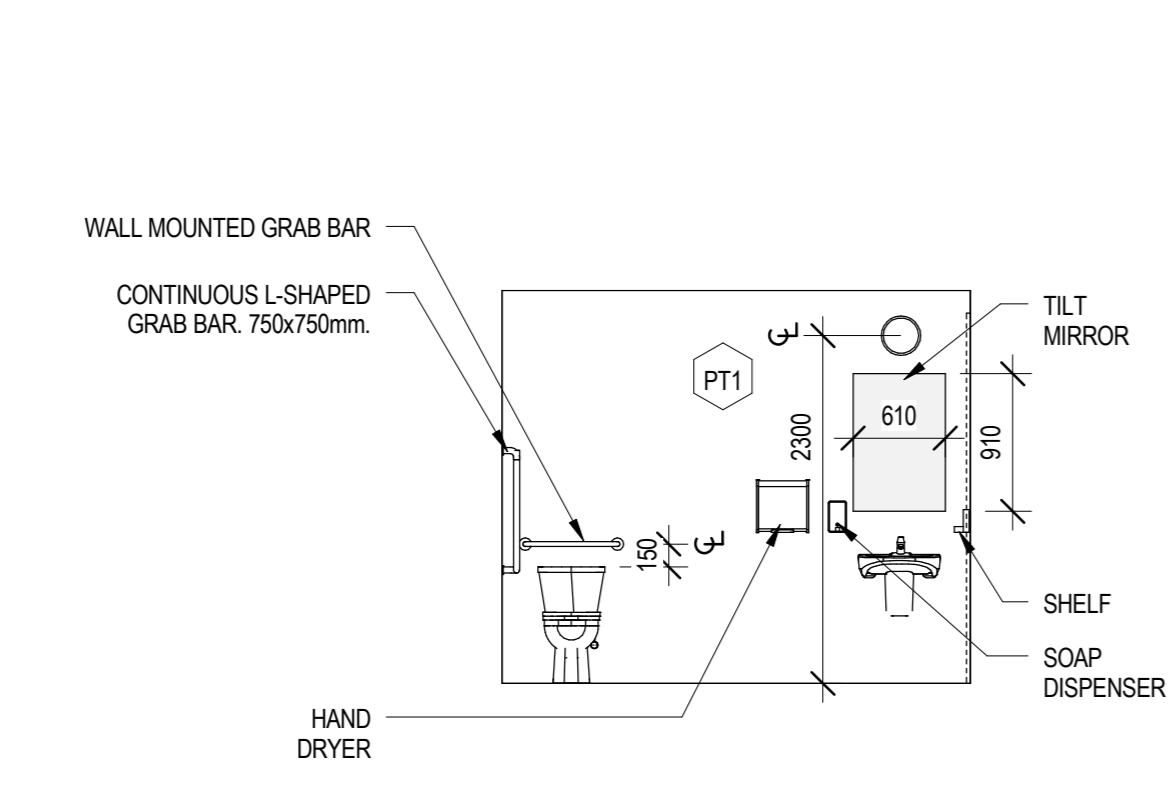
12 Male WC South Elevation  
1:50



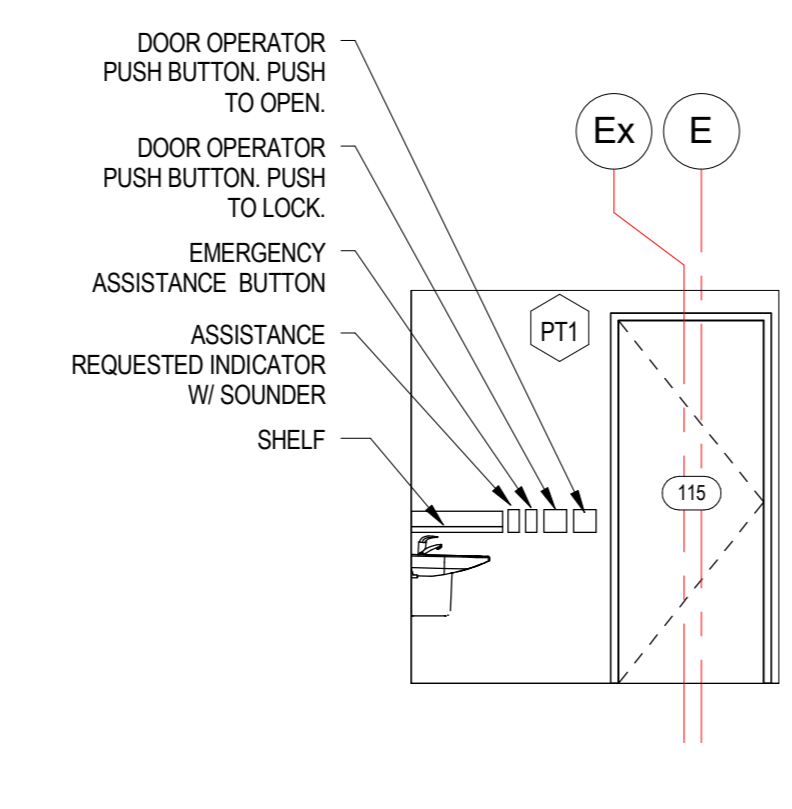
13 Male WC West Elevation  
1:50



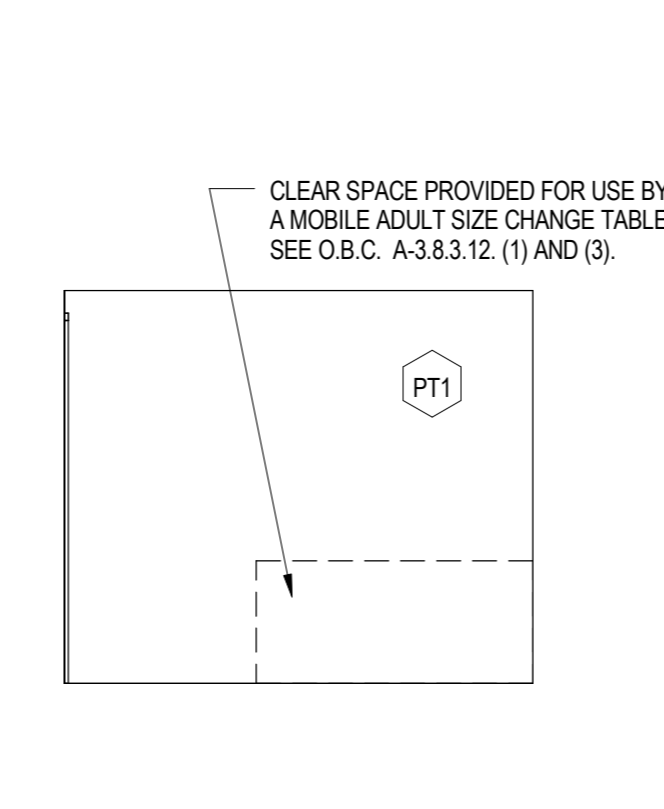
9 Male WC  
1:50



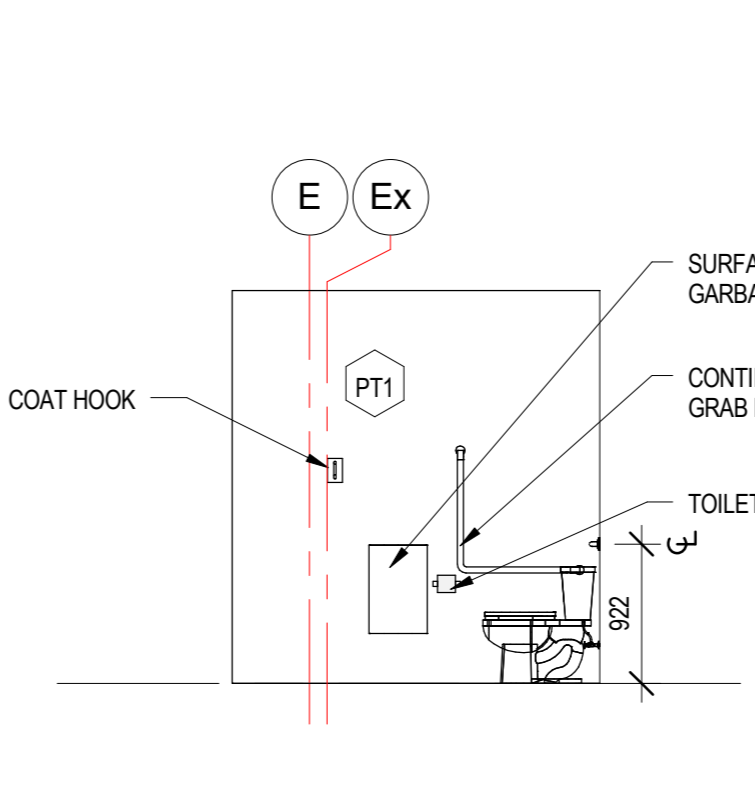
15 Universal WC North Elevation  
1:50



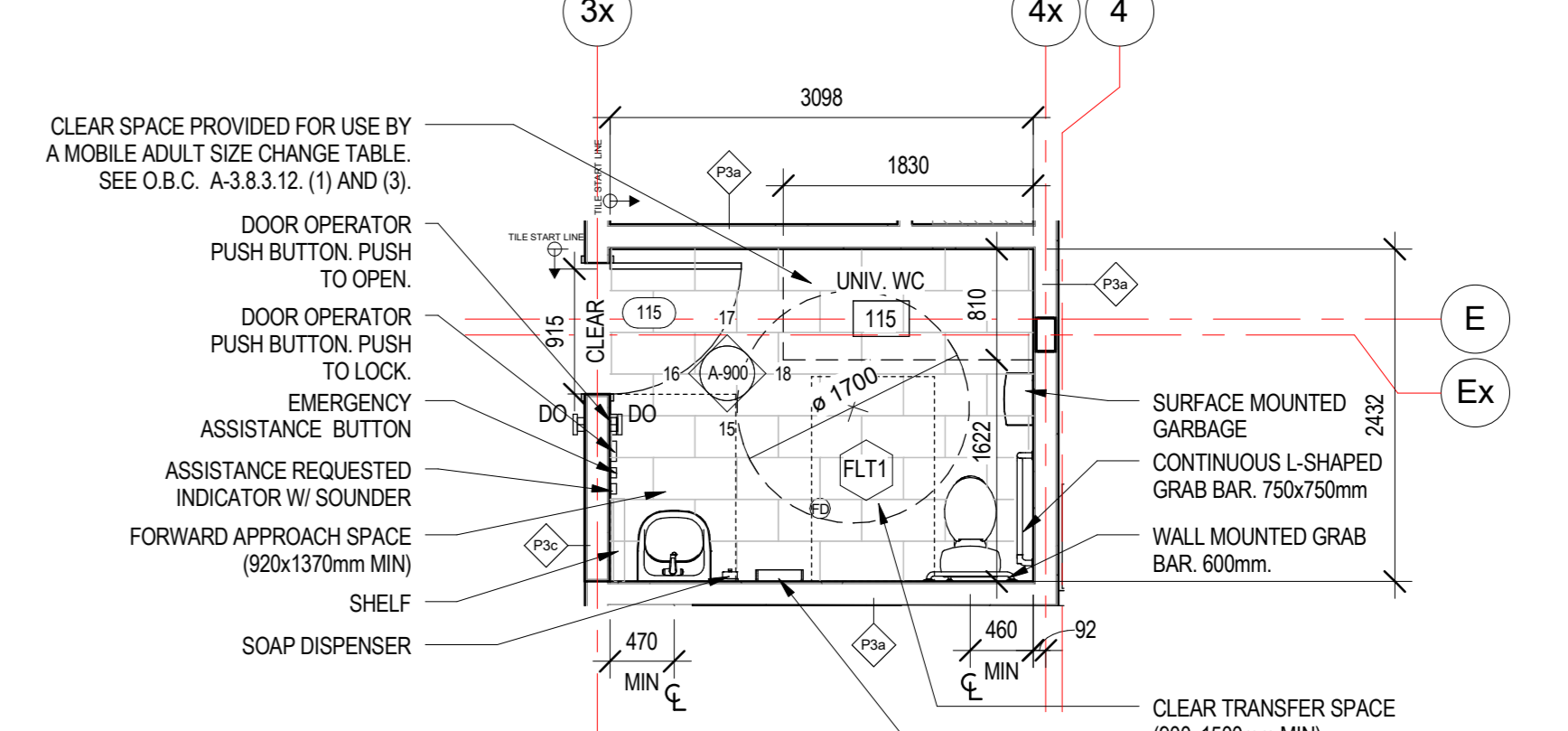
16 Universal WC East Elevation  
1:50



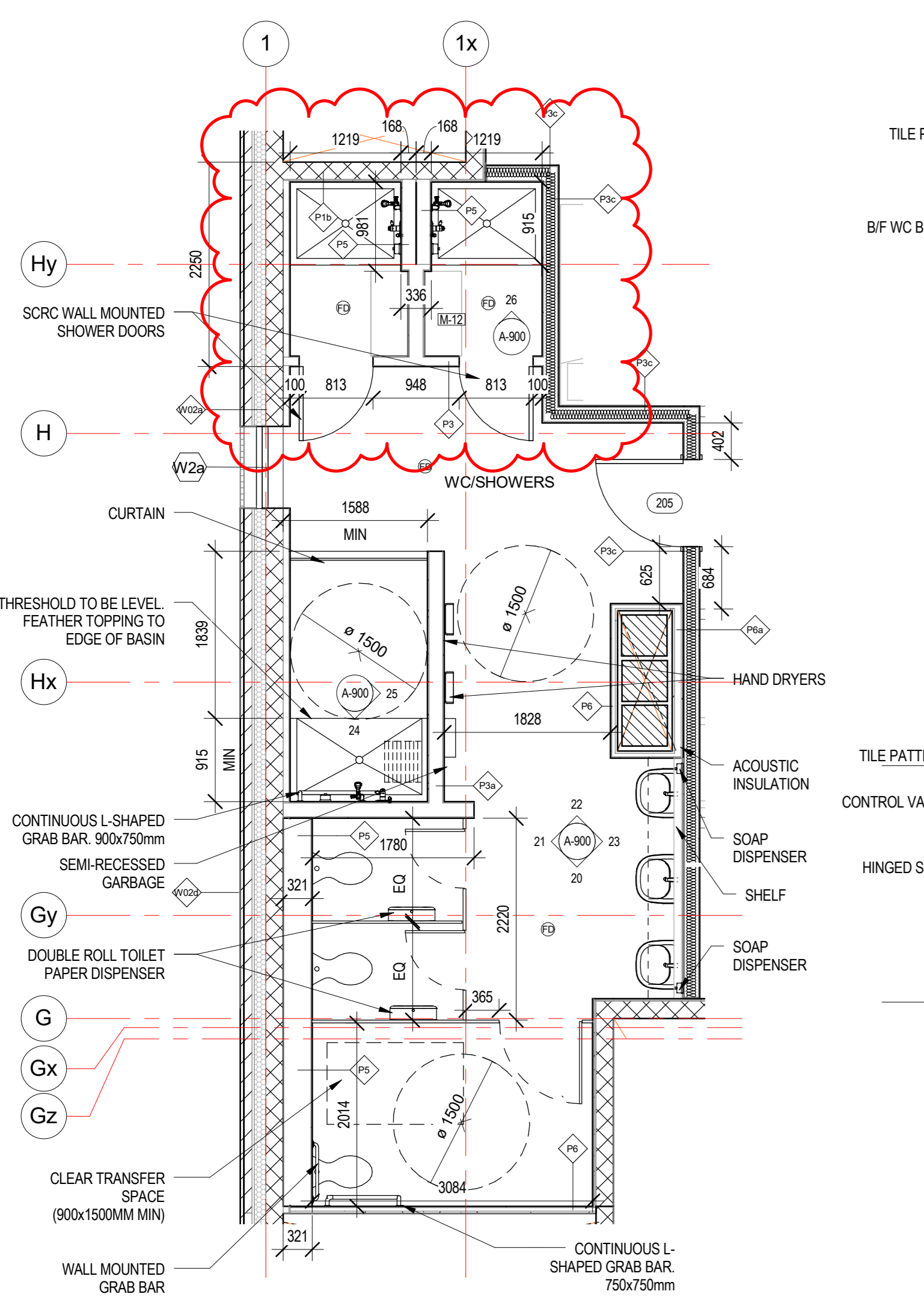
17 Universal WC South Elevation  
1:50



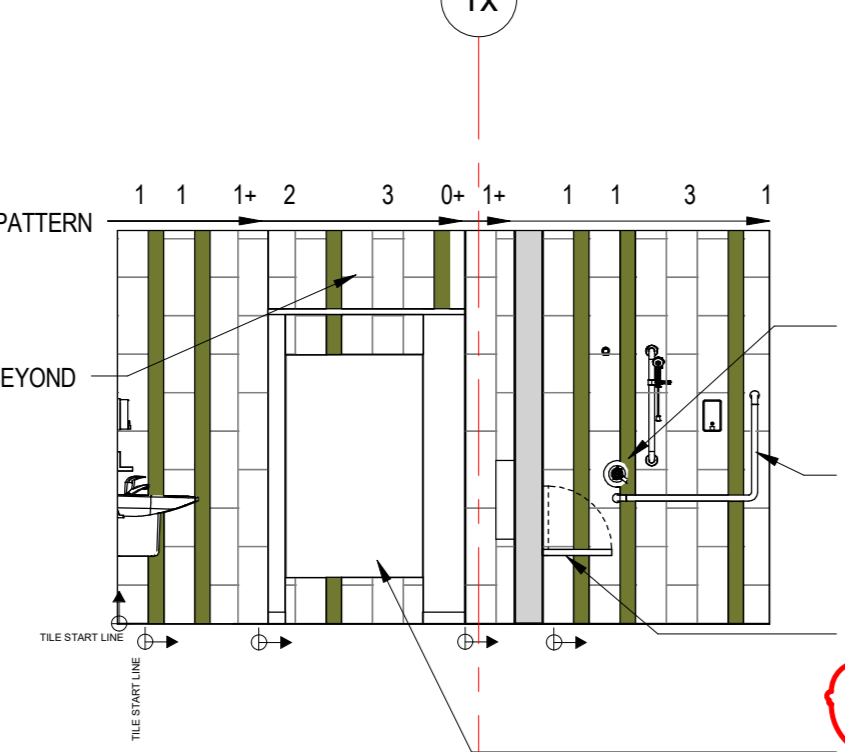
18 Universal WC West Elevation  
1:50



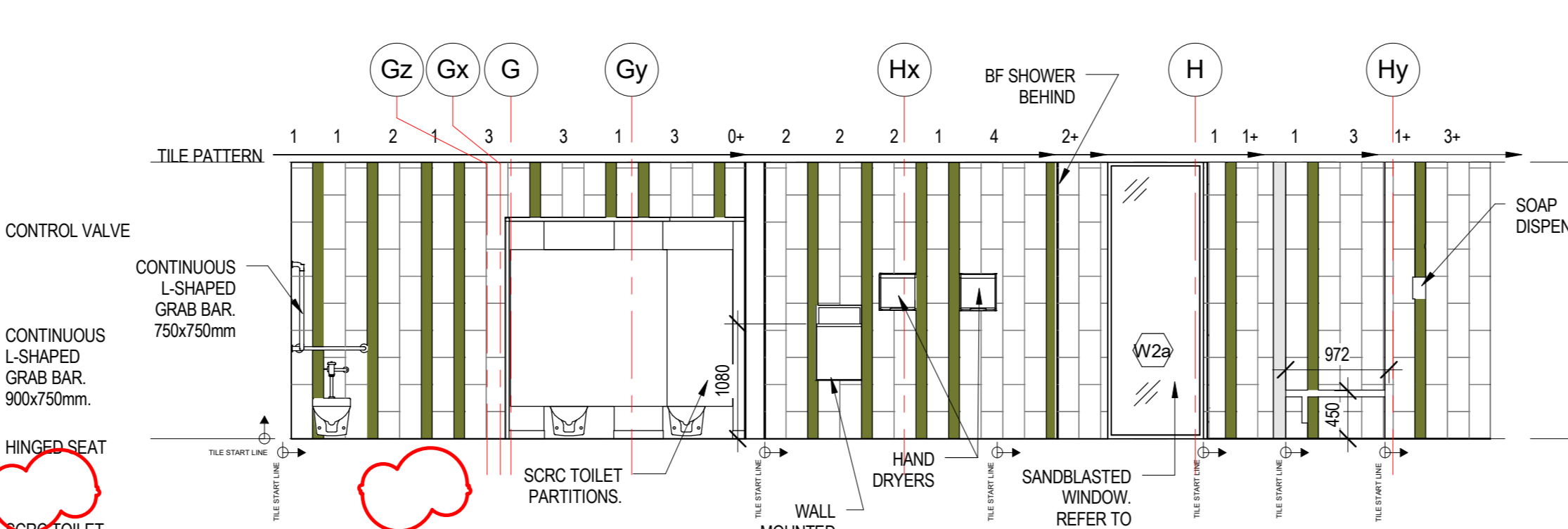
14 Universal WC Plan 115  
1:50



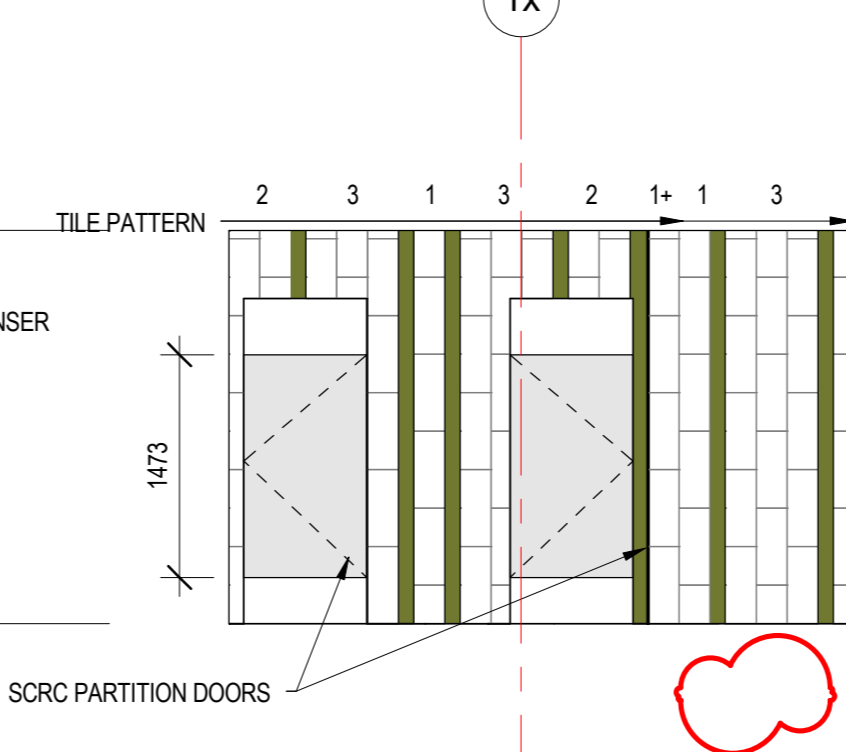
19 Dorm WC/Showers #205&305, Typ.  
1:50



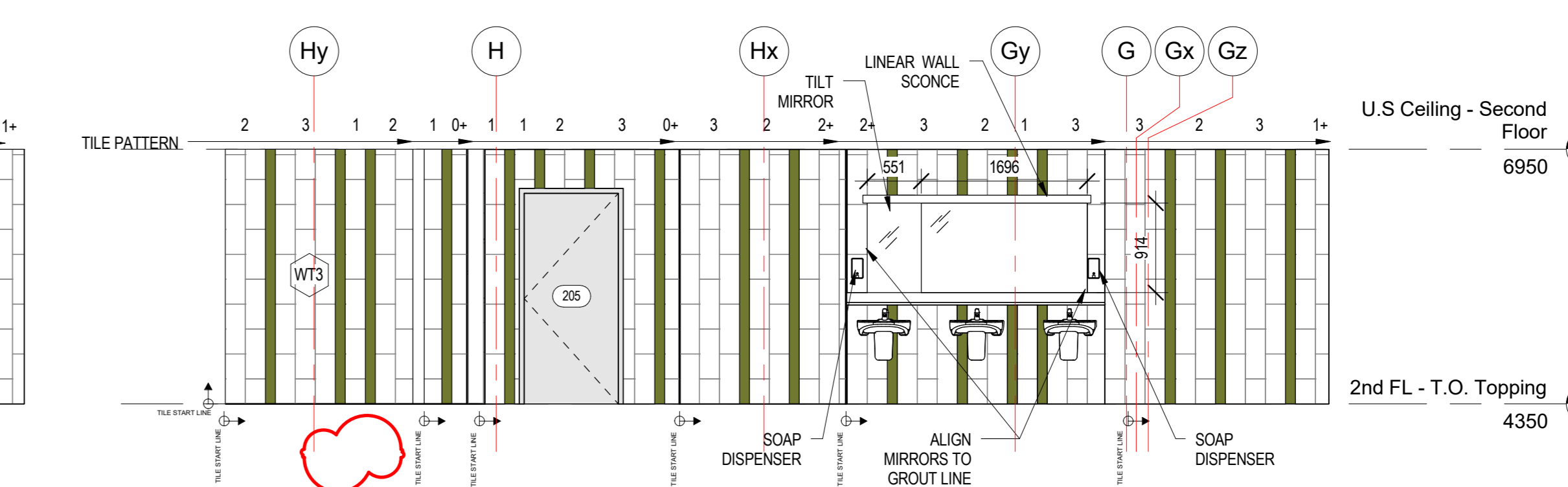
20 Dorm WC Typ North  
1:50



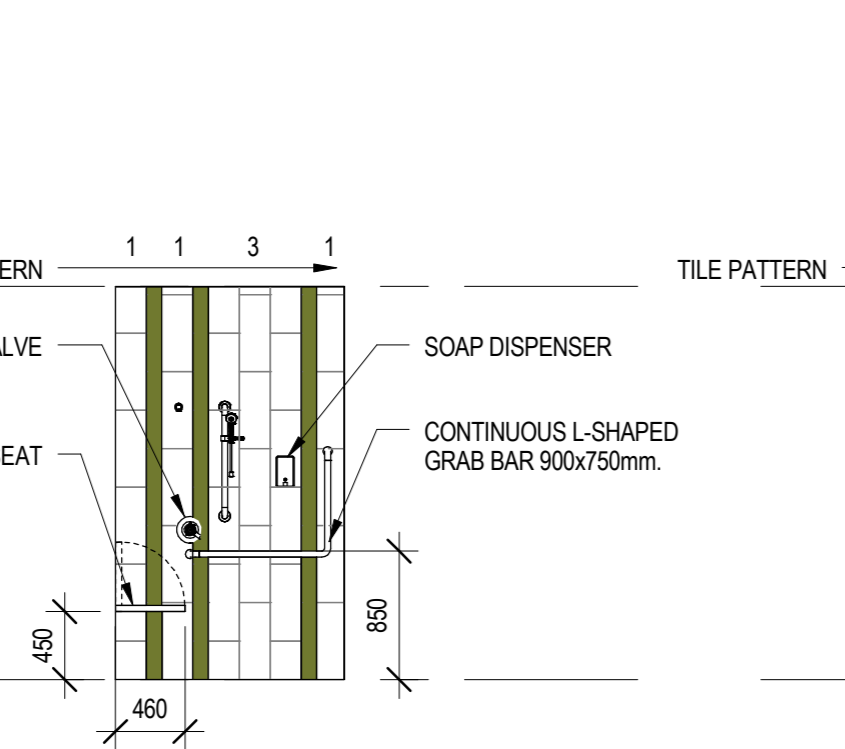
21 Dorm WC Typ East  
1:50



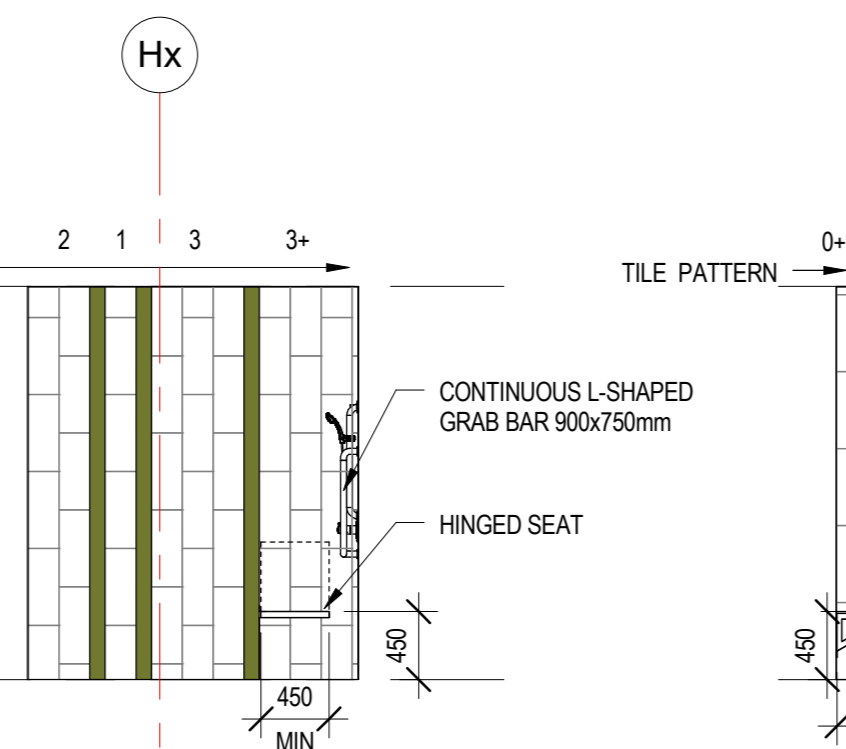
22 Dorm WC Typ Looking South  
1:50



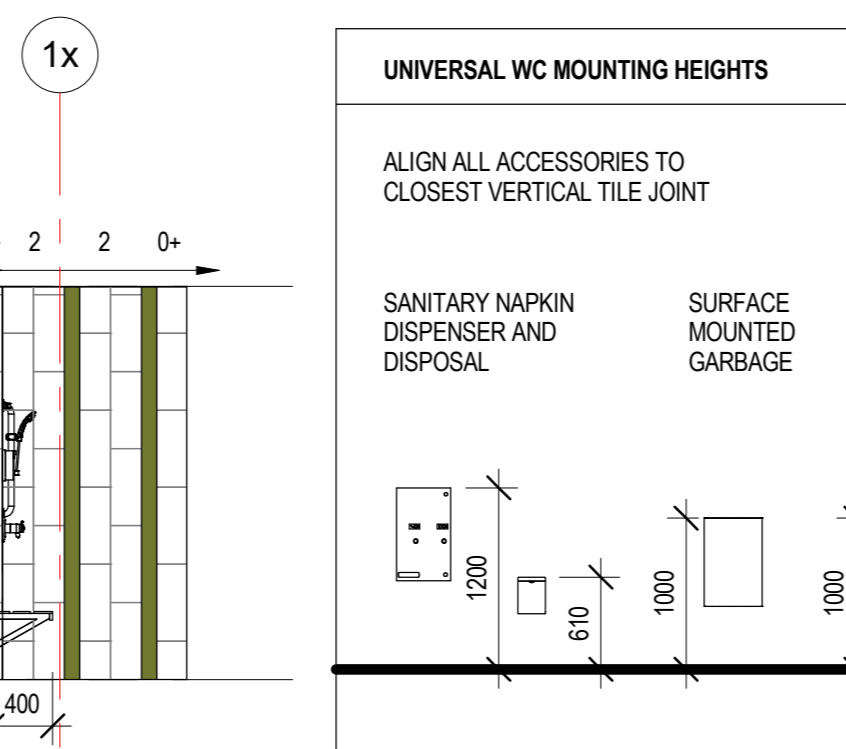
23 Dorm WC Typ West  
1:50



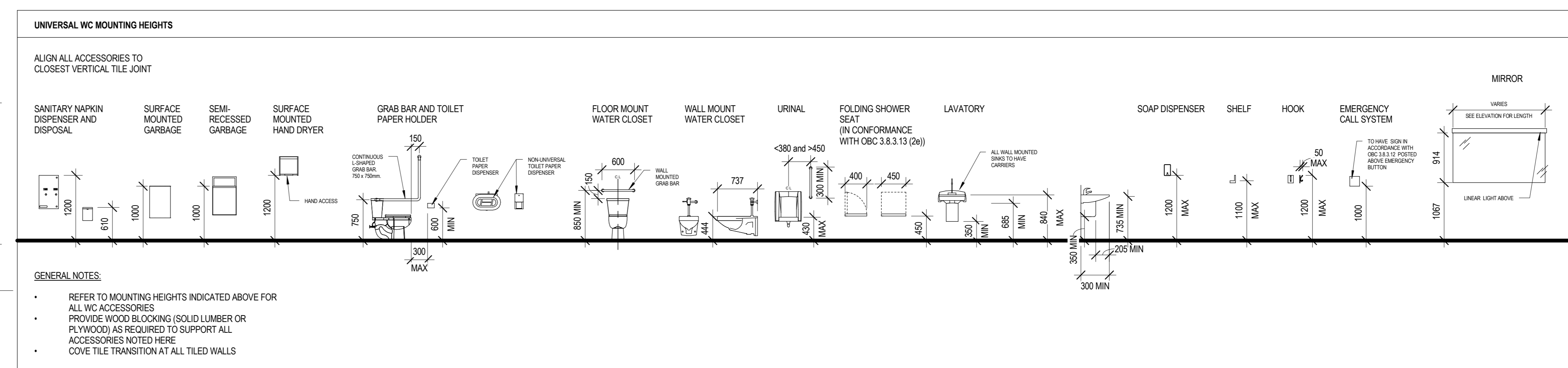
24 Dorm B/F Shower  
1:50



25 Dorm B/F Shower  
1:50



26 Dorm Shower Typ.  
1:50



ISSUED FOR TENDER

ISSUE DATE: MARCH 23, 2018

NO.	DATE	DESCRIPTION
4	2018/04/11	ISSUED FOR ADDENDA #4
3	2018/04/04	ISSUED FOR ADDENDA #2
2	2018/03/23	ISSUED FOR TENDER
1	2017/12/19	ISSUED FOR BUILDING PERMIT

**PROJECT:**  
**BROCK MISSION  
MEN'S SHELTER**

217 MURRAY STREET, PETERBOROUGH, ONTARIO

**DRAWING TITLE:**  
**WASHROOMS PLANS  
& ELEVATIONS**

**PROJECT NO:** 14276  
**SCALE:** 1:50  
**DRAWN BY:** XH  
**REVIEWED BY:** JL

**DRAWING NO:**  
**A-900**